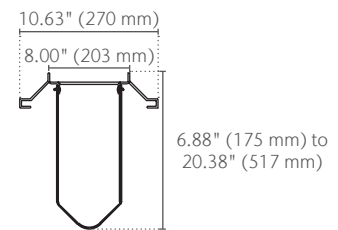
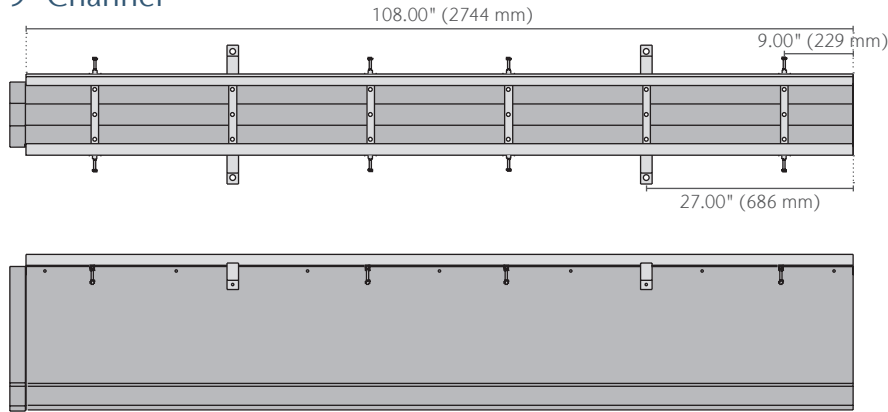


FG200 Channel System With Black Coated Steel Frame

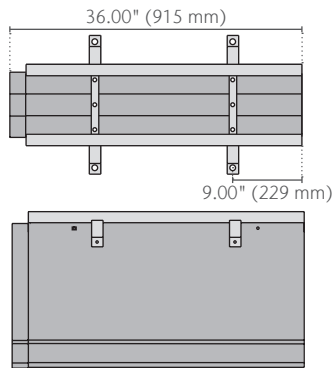


9' Channel

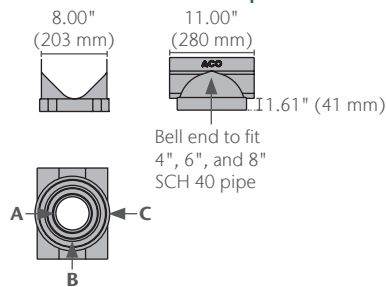


Note: Add 2.00" to length of each channel for female joining flange (only applicable at shallowest end of run)

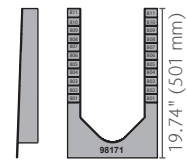
3' Channel



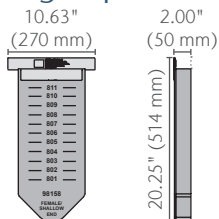
Vertical Outlet Adapter



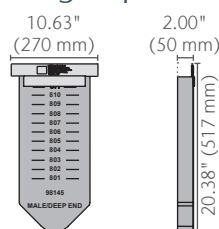
Channel Collar



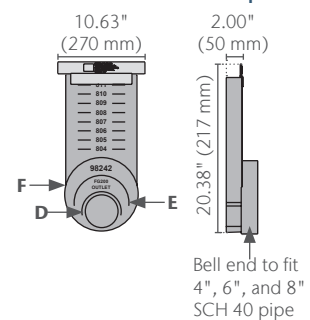
Closing Cap - Female



Closing Cap - Male



Outlet End Cap



FG200 Channel System With Black Coated Steel Frame



Outlet Flow Rates

Outlet	Product	Outlet size (SCH 40)	Invert Depth	GPM	CFS
A	Vertical outlet - F801	4" round	7.88	154	0.34
A	Vertical outlet - F812	4" round	20.25	246	0.54
B	Vertical outlet - F801	6" round	7.88	346	0.77
B	Vertical outlet - F812	6" round	20.25	553	1.23
C	Vertical outlet - F801	8" round	7.88	616	1.37
C	Vertical outlet - F812	8" round	20.25	982	2.18
D	Outlet cap - F802	4" round	9.00	145	0.33
D	Outlet cap - F812	4" round	20.25	233	0.54
E	Outlet cap - F803	6" round	10.13	330	0.76
E	Outlet cap - F812	6" round	20.25	510	1.17
F	Outlet cap - F805	8" round	12.38	635	1.46
F	Outlet cap - F812	8" round	20.25	880	2.03

Note: These are the pipe flow rates at the specified outlet, NOT channel flow rates.

Product Name	Part No.	Invert Depth		Weight lbs
		in	mm	
F801 Sloped Channel - 108" (2.75 m)	99006	6.75 - 7.88	172 - 200	11.0
F802 Sloped Channel - 108" (2.75 m)	99013	7.88 - 9.00	200 - 229	12.0
F803 Sloped Channel - 108" (2.75 m)	99021	9.00 - 10.13	229 - 257	13.0
F803N Constant Depth Channel - 108" (2.75 m)	99048	10.13	257	15.5
F803N3 Constant Depth Channel - 36" (0.915 m)	99034	10.13	257	5.2
F804 Sloped Channel - 108" (2.75 m)	99055	10.13 - 11.25	257 - 286	14.1
F805 Sloped Channel - 108" (2.75 m)	99062	11.25 - 12.38	286 - 314	15.2
F806 Sloped Channel - 108" (2.75 m)	99071	12.38 - 13.50	314 - 343	16.3
F806N Constant Depth Channel - 108" (2.75 m)	99095	13.50	343	16.3
F806N3 Constant Depth Channel - 36" (0.915 m)	99084	13.50	343	5.5
F807 Sloped Channel - 108" (2.75 m)	99109	13.50 - 14.63	343 - 371	17.4
F808 Sloped Channel - 108" (2.75 m)	99116	14.63 - 15.75	371 - 400	18.5
F809 Sloped Channel - 108" (2.75 m)	99123	15.75 - 16.87	400 - 429	19.6
F809N Constant Depth Channel - 108" (2.75 m)	99145	16.87	429	19.6
F809N3 Constant Depth Channel - 36" (0.915 m)	99132	16.87	429	6.5
F810 Sloped Channel - 108" (2.75 m)	99156	16.87 - 18.00	429 - 457	20.7
F811 Sloped Channel - 108" (2.75 m)	99162	18.00 - 19.13	457 - 486	21.8
F812 Sloped Channel - 108" (2.75 m)	99175	19.13 - 20.25	486 - 514	23.0
F812N Constant Depth Channel - 108" (2.75 m)	99192	20.25	514	23.0
F812N3 Constant Depth Channel - 36" (0.915 m)	99186	20.25	514	7.7

Notes:

Invert depths are for the channel/catch basin body & frame assembly.
Channel weights are for fiberglass body only.

Channel Frames

Black coated steel frame - 108" (2.75 m)	97066	-	-	57.9
Black coated steel frame - 36" (0.915 m)	35916	-	-	19.3

Note: Frames supplied with plastic snap-fit studs for connecting to fiberglass body.

Accessories

Closing cap (Female) with black end frame	98365	-	-	1.1
Closing/outlet cap (Male) with black end frame	98363	-	-	1.3
Outlet cap (Male) with black end frame	98361	-	-	1.8
Vertical outlet adapter - 4" or 6" SCH 40 outlet	98103	-	-	1.6
FG200 Channel/catch basin collar	98171	19.74	501	1.1

Notes:

Closing caps can be cut down to suit all channels.
Please refer to separate sheet for F600 and F880 catch basin information.



FG200 Channel System With Black Coated Steel Frame



Specification Summary

General

The surface drainage system shall be ACO Drain FG200 complete with black coated steel frame and bolted gratings as manufactured by ACO, Inc. or approved equal.

Grates

Grates should be specified. See separate ACO Spec Info Sheets for grate details.

Installation

The trench drain system shall be installed in accordance with the manufacturer's installation instructions and recommendations.

Materials

The trench system bodies shall be manufactured from fiberglass, with minimum properties as follows:

- Compressive strength: 24,400 psi
- Flexural strength: 9,943 psi
- Water absorption 0.33%
- Frost-proof
- Salt-proof
- Dilute acid and alkali-resistant

The nominal clear opening shall be 8.00" (203 mm) with overall width of 10.63" (270 mm). Pre-cast units shall be manufactured with either an invert slope of 1.0% or with neutral invert and have a wall thickness of at least 1/8" (3 mm). Each unit will feature a full 'V' profile in the trench bottom and a 2.00" (50 mm) male to female interconnecting end profile.

The fiberglass channel body shall be fixed to the frame using push fit nylon studs at 17.17" (436 mm) intervals.

Frames shall be manufactured from black coated steel and shall incorporate anchoring features to ensure maximum mechanical bond to the surrounding bedding material and pavement surface. Frames shall incorporate installation brackets to ensure correct and easy installation. Frame shall be at least 3/16" (5 mm) thick.

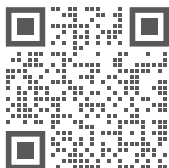


EN1433 Load Class E
134,885 lbs – 2,785 psi

ACO, Inc.

© January 2026 ACO, Inc.

All reasonable care has been taken in compiling the information in this document. All recommendations and suggestions on the use of ACO products are made without guarantee since the conditions of use are beyond the control of the company. It is the customer's responsibility to ensure that each product is fit for its intended purpose and that the actual conditions of use are suitable. ACO, Inc. reserves the right to change products and specifications without notice.



info@acousa.com
www.acousa.com

